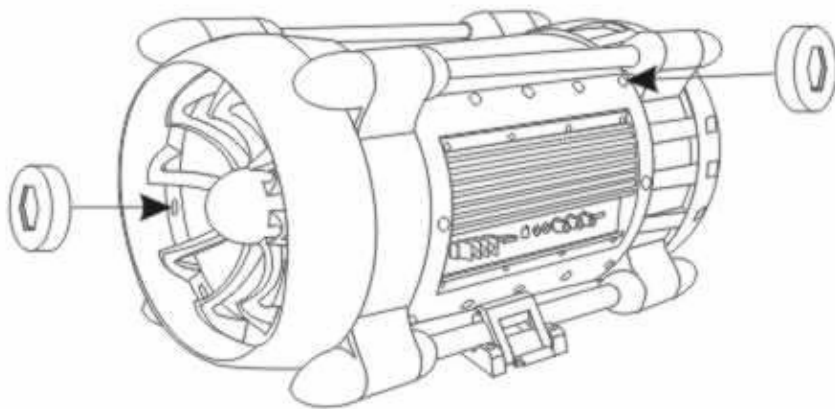
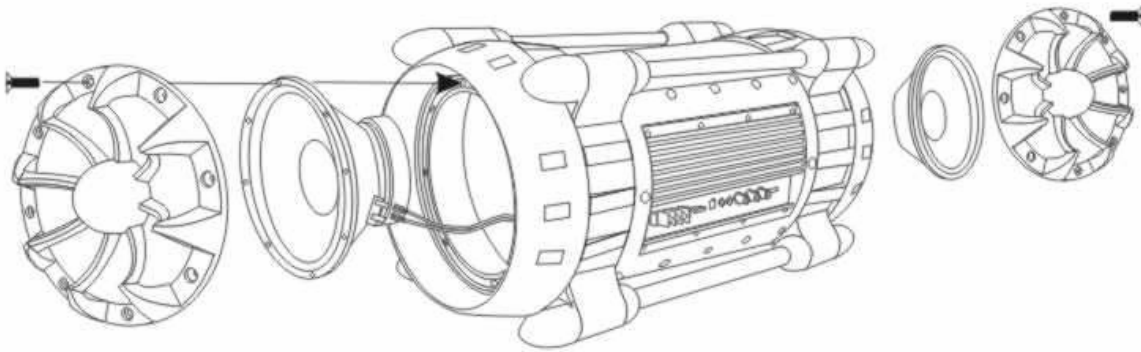
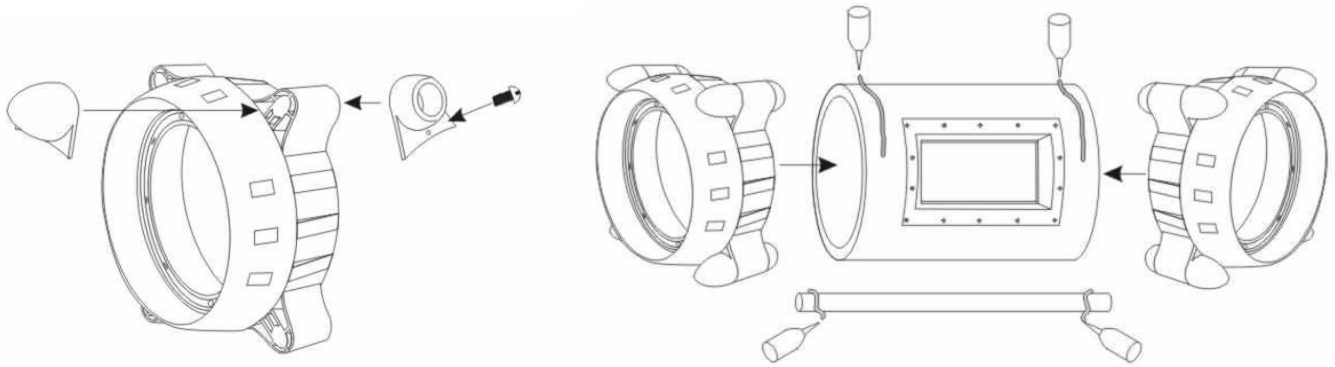


- 250mm subwoofer and 250mm passive radiator combined with a 100W RMS amplifier housed in a specific enclosure, all carefully engineered to work together as a unique, integrated system.
- 12 dB/octave electronic low pass filter with selectable 40Hz-120Hz crossover frequency for precise frequency division to match any system
- Variable Bass Boost for up to 6dB more level at 50Hz
- Line-level and speaker-level Inputs to integrate seamlessly with virtually any factory-installed head unit
- Variable input sensitivity for compatibility with all source units and factory head units
- Effective protection circuitry against short circuit, overheating and over-current
- High-quality power, input and output connectors for clean, tight, long-lasting connections
- Power-On indicator led for visible indication of amplifier status

## Specifications

Dynamic Range: CD:	100W
RMS Power Handling:	300W
Max Power Handling:	20Hz - 160Hz
Frequency Response:	40 - 120Hz
Active Crossover:	4 Ohms
Impedance:	0 - 180°
Phase control:	0 to +6dB @ 40Hz
Dimensions (H x W x D):	625 x 320 x 315 mm



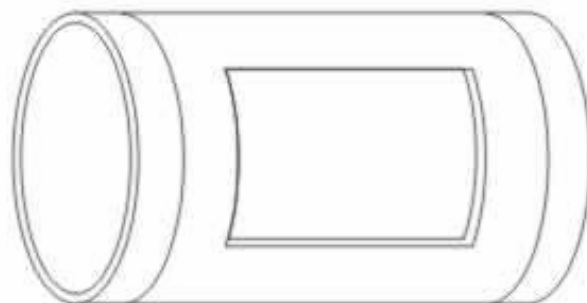


Part No: **PJFPF-F1.BF**



BULLET FRONT

Part No: **PT-D85-480PH**



PAPER PIPE WITH PVC SHEET

Part No: **PJFPF-F1.BB**



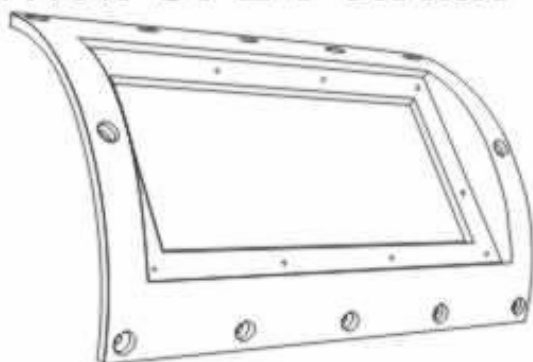
BULLET BACK

Part No: **MP-24x465C**



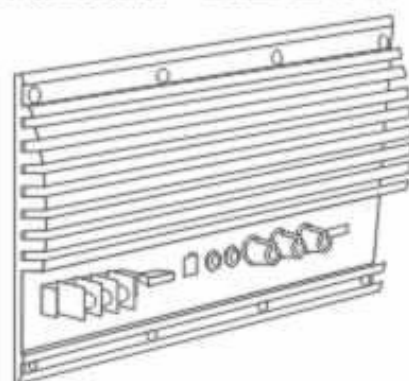
METAL PIPE CHROME FINISH

Part No: **PJPL-F1.AMP**



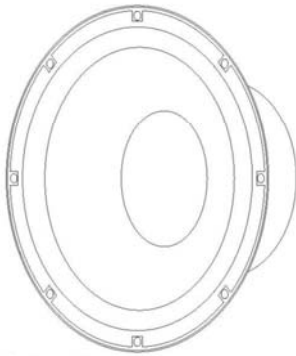
PANEL FOR AMPLIFIER

Part No: **AMP-JBL50**



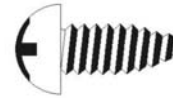
POWER AMPLIFIER

Part No: **SP10-F1.1030**



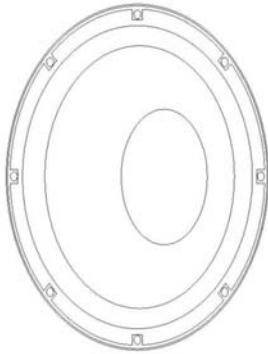
WOOFER SPEAKER

Part No: **SC-PA3X15**



STAINLESS SCREW

Part No: **SP10-F1.10PR**



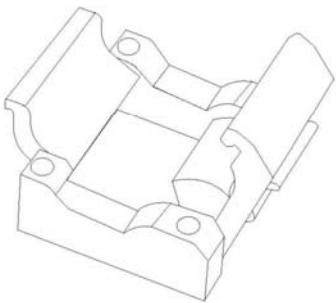
PASSTVE-RADIATORS.PR SPEAKER

Part No: **SC-TM5X25**



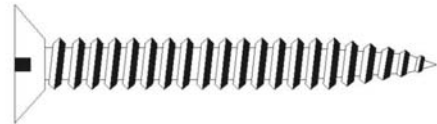
SCREW

Part No: **PHD-F1.10**



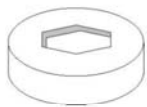
HOLDER

Part No: **SC-KA4X50**



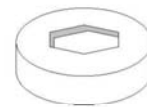
SCREW

Part No: **PJD-PDS-13X3**



PLASTIC DECORATION SCREW

Part No: **PJD-PDS-12X2**



PLASTIC DECORATION SCREW  
FOR AMP PANEL

**BTX-250 SPARE PARTS**

**POWER AMP**

POS	ITEM NO.	DESCRIPTION	QTY
	ASYJBL50	PCB ASSY AMP JBL50	1
	027112092 PCB	CSA50 POWER 112X92MM PCB Blank	1
Q1,Q3,Q4,Q6,Q7,Q8,Q103,Q104	122SA1015 TRANSISTOR	TOSHIBA 2SA1015 250MA 60V 0.4W	8
Q2,Q5,Q101,Q102,Q112	122SC1815 TRANSISTOR	TOSHIBA 2SC1815 250MA 60V 0.4W	5
Q13,QM1	123T0K30A TRANSISTOR	MOS K30A (T0-92)	2
Q11,Q12	123TRFZ44 TRANSISTOR	IR IRFZ44V 60V 55A 115W	2
Q106	124T0SA06 TRANSISTOR	TR MOTOROLA MPSA06 N 0.5A 80V	1
Q107	124T0SA13 TRANSISTOR	TR MOTOROLA MPSA13 N 0.5A 30V	1
Q105	124T0SA56 TRANSISTOR	TR MOTOROLA MPSA56 P 0.5A 80V	1
Q110	128TTI35C TRANSISTOR	TR SGS OR TI TIP35C N 25A	1
Q111	128TTI36C TRANSISTOR	TR SGS OR TI TIP36C P 25A 100V	1
Q109	129TB647A TRANSISTOR	TR HITACHI 2SB647AC 100V 1A	1
Q108	129TD667A TRANSISTOR	TR HITACHI 2SD667AC 100V 1A	1
D2,D3,D4,D5,D8,D9	131TN4148 DIODE	NS 1N4148 HSS 150MA 100V 52MM	6
ZD1,ZD2	133T0015B ZENER DIODE	NEC RD15EB3 ZNR 0.5W 15V 52MM	2
D1	134TN5402 RECTIFYING DIODE	1N5402 RET 3.0A 100V	1
D7	136T1220A FAST RECOVER RECTIFIER	F12C20A 12A 200V (TO220)	1
D6	136T1220C FAST RECOVER RECTIFIER	F12C20C 12A 200V (TO220)	1
U1	158TTL494 IC DIP16	NEC UPC494 OR TI TL494	1
L1	174114005 INDUCTANCE	DIOX30 D=2.1 5.0UH(VERTICAL TYPE)	1
T1	181T02804 POWER TRANSFORMER	JBL-50 28 $\frac{1}{2}$ 6:16 VARNISH T2804	1
R33	220440101 RESISTOR	CARBON CR 1/4W 100 $\Omega$ J	1
R30	220440242 RESISTOR	CARBON CR 1/4W 2.4K $\Omega$ J	1
R10	220880100 RESISTOR	CARBON CR 1/6W 10 $\Omega$ J	1
R5,R25,R26,R104,R105,R111,R112	220880101 RESISTOR	CARBON CR 1/6W 100 $\Omega$ J	7
R12,R19,R20,R21,R22,R113,R122	220880102 RESISTOR	CARBON CR 1/6W 1K $\Omega$ J	7
R1,R8,R9,R28,R102,R124,RM1	220880103 RESISTOR	CARBON CR 1/6W 10K $\Omega$ J	7
R125	220880133 RESISTOR	CARBON CR 1/6W 13K $\Omega$ J	1
R18	220880153 RESISTOR	CARBON CR 1/6W 15K $\Omega$ J	1

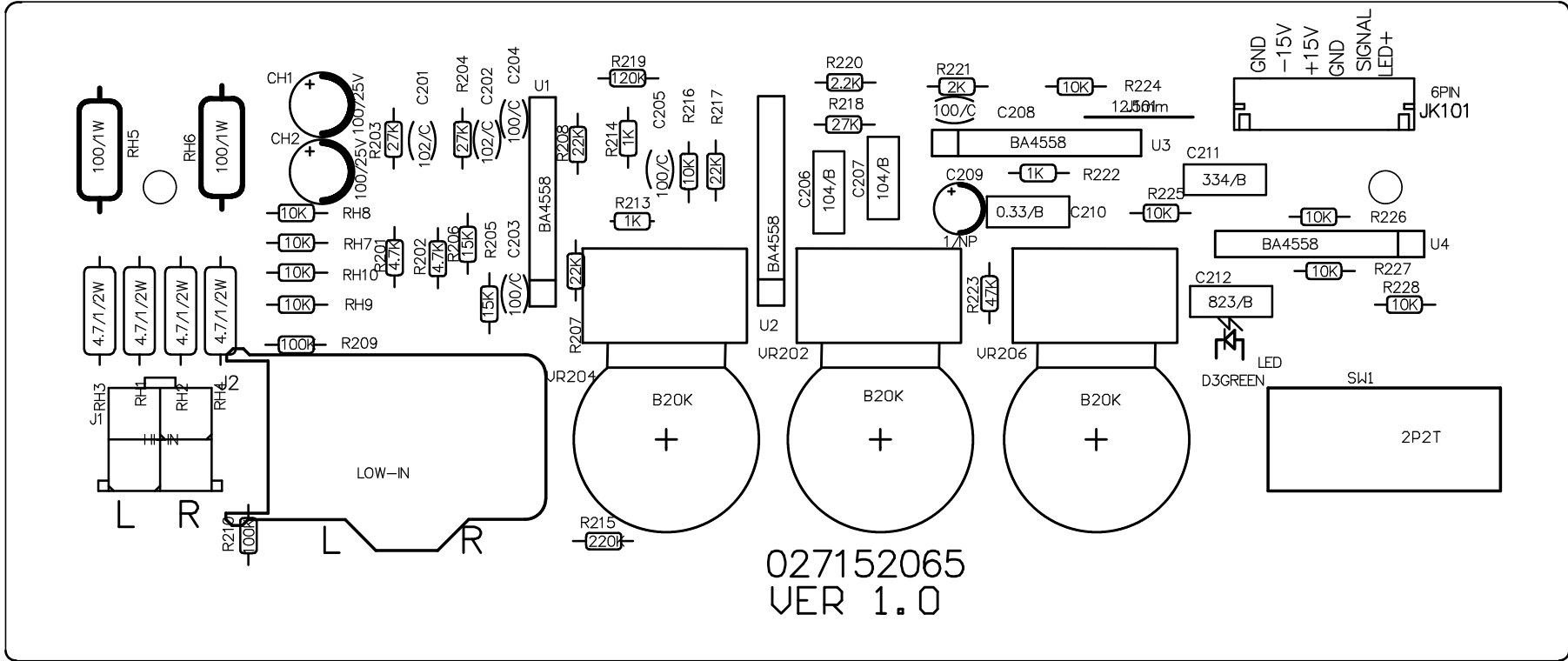
POWER AMP			
POS	ITEM NO.	DESCRIPTION	QTY
R11	220880201	RESISTOR CARBON CR 1/6W 200Ω J	1
R118	220880221	RESISTOR CARBON CR 1/6W 220Ω J	1
R16,R101,R121,R123	220880222	RESISTOR CARBON CR 1/6W 2.2KΩ J	4
R107,R110	220880272	RESISTOR CARBON CR 1/6W 2.7KΩ J	2
R15	220880273	RESISTOR CARBON CR 1/6W 27K OHM J	1
R114	220880302	RESISTOR CARBON CR 1/6W 3KΩ OHM J	1
R14,R17	220880333	RESISTOR CARBON CR 1/6W 33KΩ J	2
R115	220880432	RESISTOR CARBON CR 1/6W 4.3KΩ J	1
R116,R117	220880470	RESISTOR CARBON CR 1/6W 47Ω J	2
R2,R3,R4,R6,R7,R13	220880472	RESISTOR CARBON CR 1/6W 4.7KΩ J	6
R108,R109	220880512	RESISTOR CARBON CR 1/6W 5.1KΩ J	2
R103,R106	220880681	RESISTOR CARBON CR 1/6W 680Ω J	2
R27	220880683	RESISTOR CARBON CR 1/6W 68KΩ J	1
R29	231100220	RESISTOR METAL MO 1W 22Ω J	1
R31,R32	231100681	RESISTOR METAL MO 1W 680Ω J	2
R119,R120	23251001A	CEMENT TYPE RESISTOR SQM 5W 0.1Ω (VERTICAL TYPE)	2
RT	261T05103	THERMISTOR NTC THERMISTOR D103J 10K	1
C102,C107,C109	31JT10105	C/C C/C NPO 100PF/50V J	3
C13	31JT68125	C/C C/C Y5E 680PF/250V K	1
C1,C4,C8,C105,C110	31ZT10410	C/C C/C 0.1U/100V Z	5
C108	32JT10410	M/C M/C 0.1UF/100V J (MINISIZE)	1
C10	32JT68210	M/C M/C 0.0068UF/100V J	1
C5,C9,C12,C18,C19,C22	340T10625	E/C 10UF/25V 5*11 +20-10%	6
C7,C11,C21,C106	340T10725	E/C 100UF/25V 6*11 +20-10%	4
C14,C15	340T22851	E/C 2200UF/50V 16*32 +20-10%	2
C103,C104	340T33725	E/C 330UF/25V 8*14 +20-10%	2
C101	340T47550	E/C 4.7UF/50V 5*11 +20-10%	1
C6	340T47625	E/C 47UF/25V 5*11 +20-10%	1
C3	341T22835	E/C 2200UF/35V 18*27 105°C	1
J1,J2,J3,J4,J5,J6,J7,J8,J9,J10,J11,J12,C20,JP14	400T06520	JUMP WIRE JUMP 0.6*52MM	14

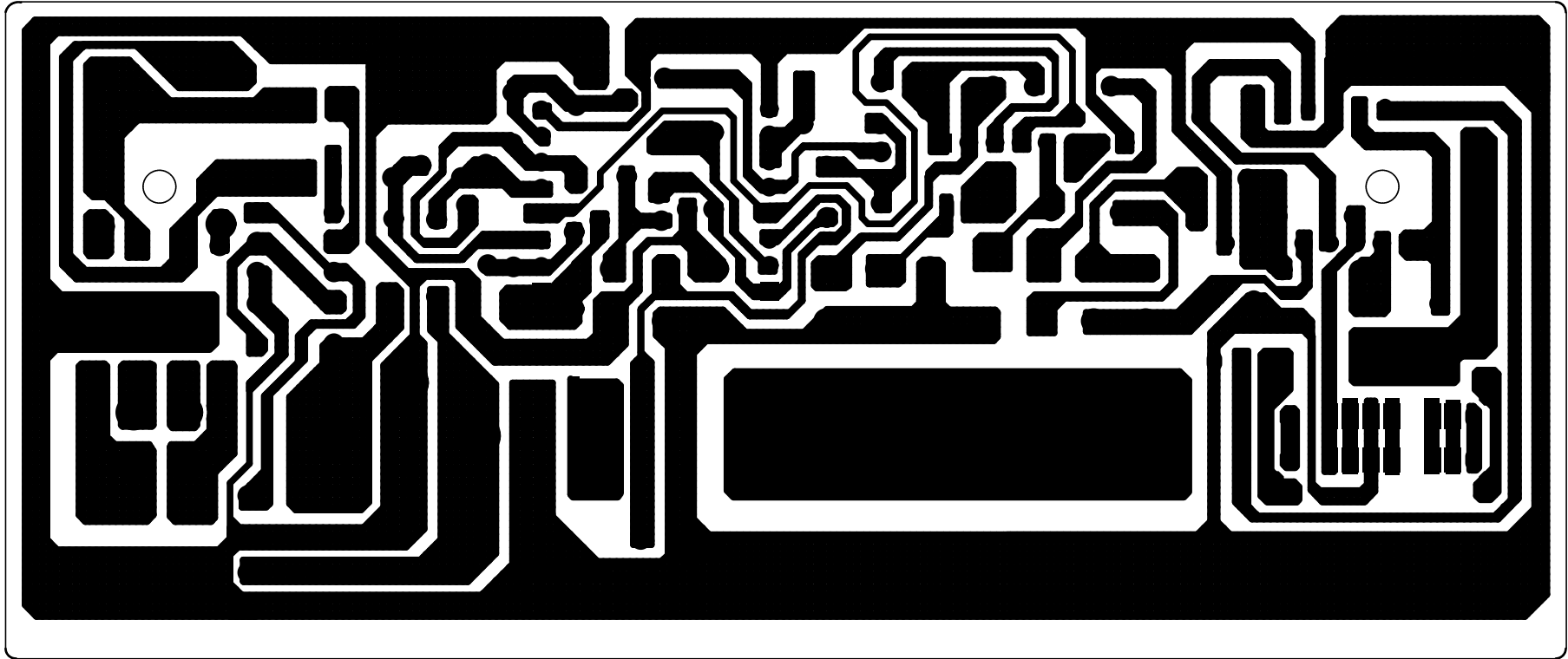
POWER AMP				
POS	ITEM NO.	DESCRIPTION	QTY	
	830062181	MICA SEGMENT	3*Φ4.5 (HOLE) 62*18mm T=0.1mm	1
	862T00100	FIBER TUBE	(1000MM) 1φ	0,04
	865T00080	CABLE TIE	100MM YJ-100	1
	178311908	HIGH FREQUENCY CORE	31*19*8MM	1
PRE AMP				
POS	ITEM NO.	DESCRIPTION	QTY	
	ASYJBL50P	JBL50 PRE CAR SUBWOOFER AMP	1	
	027152065	PCB	JBL50 PRE 152X64MM PCB 94-V0	1
LED	137T03G00	LED	3MM GREEN	1
U1,U2,U3,U4	151T04558	IC SIP8	ROHM BA4558N	4
SW1	197T04212	SLIDE SWITCH	4P2T SS001-P242P PA12	1
VR202,VR204	202T15203	VR	16T1-2D8 (SINGLE)B20K L=15MM	2
VR206	203T15203	VR	16T1-2D8-B20K L=15MM	1
RH1,RH2,RH3,RH4	22022047A	RESISTOR	CARBON CR 1/2W 4.7Ω J	4
R213,R214,R222	220880102	RESISTOR	CARBON CR 1/6W 1KΩ J	3
RH7,RH8,RH9,RH10,R216,R224,R225,R226,R227,R228	220880103	RESISTOR	CARBON CR 1/6W 10KΩ J	10
R209,R210	220880104	RESISTOR	CARBON CR 1/6W 100KΩ J	2
R219	220880124	RESISTOR	CARBON CR 1/6W 120KΩ J	1
R205,R206	220880153	RESISTOR	CARBON CR 1/6W 15KΩ J	2
R221	220880202	RESISTOR	CARBON CR 1/6W 2KΩ J	1
R220	220880222	RESISTOR	CARBON CR 1/6W 2.2KΩ J	1
R207,R208,R217	220880223	RESISTOR	CARBON CR 1/6W 22KΩ J	3
R215	220880224	RESISTOR	CARBON CR 1/6W 220K J	1
R203,R204,R218	220880273	RESISTOR	CARBON CR 1/6W 27K OHM J	3
R201,R202	220880472	RESISTOR	CARBON CR 1/6W 4.7KΩ J	2
R223	220880473	RESISTOR	CARBON CR 1/6W 47KΩ J	1
RH5,RH6	231100101	RESISTOR	METAL MO 1W 100 OHM J	2
C1,C2,C3,C4,C203,C204,C205,C208	31JT10105	C/C	C/C NPO 100PF/50V J	8
C201,C202	31KT10205	C/C	C/C Y5P 1000PF/50V K	2
CH1,CH2	340T10725	E/C	100UF/25V 6*11 +20-10%	2

PRE AMP			
POS	ITEM NO.	DESCRIPTION	QTY
C210,C211	391T63334 MET CAPACITOR	(BOX) 0.33U/63V J MEMB	2
C212	391T63823 MET CAPACITOR	(BOX) 0.082U/63V J MEMB	1
J101	400T06520 JUMP WIRE	JUMP 0.6*52MM	1
J2	522TMP993 RCA SOCKET	RED/WHITE 2P GOLD YLR-1009-316	1
J1	531T42004 TERMINAL	4P SOCKET P=4.2MM	1
JK101	571T15006 CONNECTOR W/WIRE	6P CONNECTOR W/WIRE 150MM 5MM	1
	862T00100 FIBER TUBE	(1000MM) 1φ	0,02
C7	31JT22105 C/C	C/C Y5E 220PF/50V J	1
C9	31JT47105 C/C	C/C Y5E 470PF/50V K	1
C5,C6	31JT47005 C/C	C/C NPO 47PF/50V J	2
C8	31KT10305 C/C	C/C Y5P 0.01UF/50V K	1
C10	31ZT10410 C/C	C/C 0.1U/100V Z	1
Miscellaneous			
POS	ITEM NO.	DESCRIPTION	QTY
	445T00002 FUSE SOCKET	EXTERIOR FIXED (047-519)	1
	541T30203 TERMINAL STANDER	3P PLATE WITH GOLD VERTICAL TYPE P=11mm	1
	554T18270 UL HEAT-RESISTANT WIRE	18AWG 270MM T=10*2 YELLOW 1015#	1
	560016270 UL HEAT-RESISTANT WIRE	16AWG 270MM T1=5 T2=10 BLACK 1015#	1
	560216270 UL HEAT-RESISTANT WIRE	16AWG 270MM T1=5 T2=10 RED 1015#	1
	571T30004 CONNECTOR W/WIRE	4P CONNECTOR W/WIRE 300MM 1007 20AWG	1
	571260013 CONNECTOR W/WIRE	2P 1015#18AWG 600MM WITH 205#110#	1
	620112100 ASSISTANT HEATSINK	WHITE ALUMINUM 112X100X36 T=3	1
	621T15040 RADIATOR LAYER	1 HOLE 1.5*15*38MM	1
	623T15061 RADIATOR LAYER	3 HOLE 1.5*15*60MM	1
	630150280 HEATSINK PLATE	150*280 ALIMINUM EXTRACT	1
	711T12688 SCREW	PMS 2.6*8 MM	2
	711T13065 SCREW	PMS 3*6 MM ANODIZE BLACK	2
	711T13108 SCREW	PMS 3*10 MM	4
	711T14108 SCREW	PMS 4*10 MM	2
	711T14145 SCREW	PMS M4*14 MM ANODIZE BLACK	4

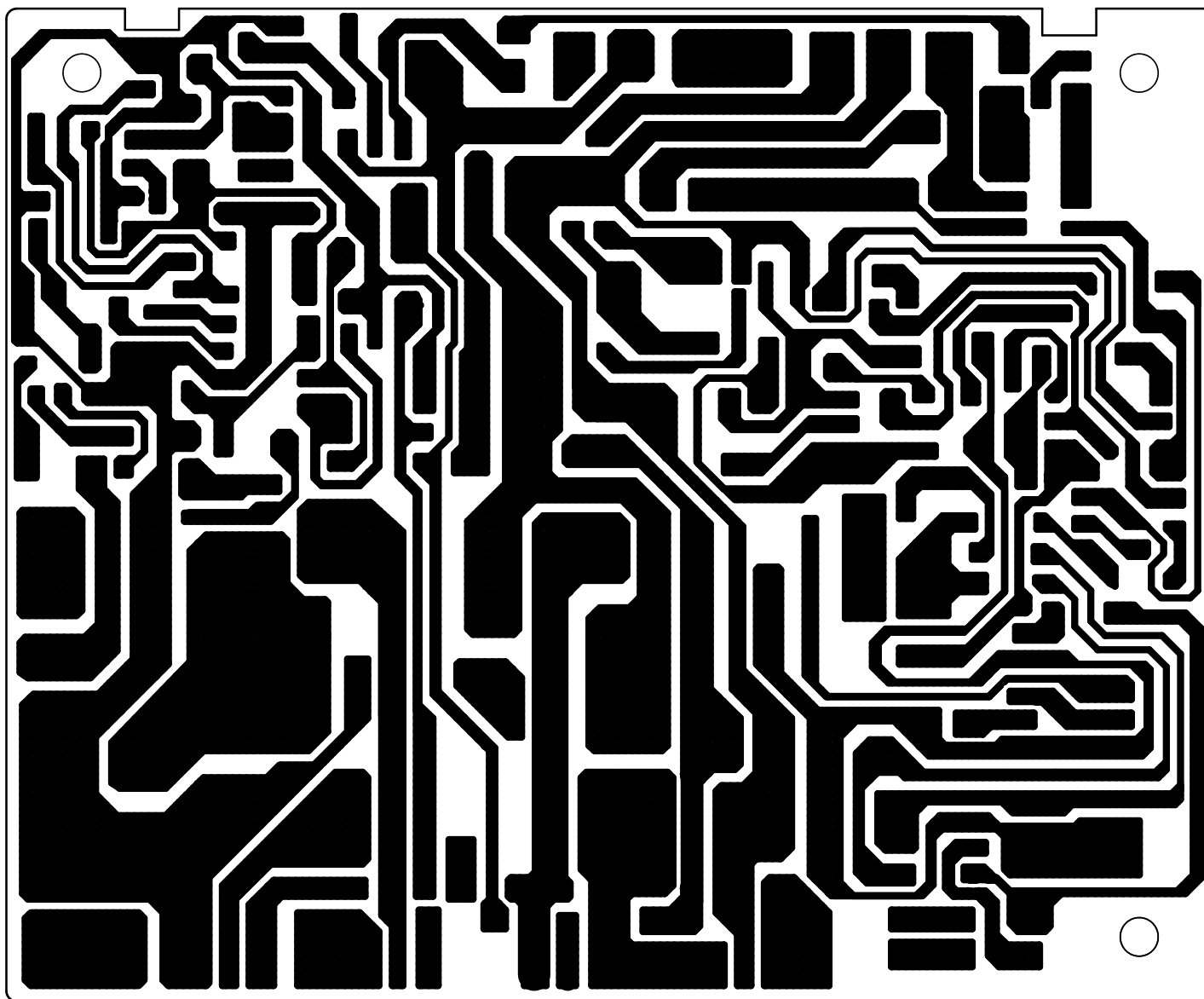


Miscellaneous			
POS	ITEM NO.	DESCRIPTION	QTY
	721T33128 SCREW	3*12MM	1
	761T03501 WASHER	3.5φ ANODIZE BLACK	2
	771TH0518 PCB FIXER	COPPER 5*18X12MM	2
	771TH5085 PCB FIXER	COPPER 5X8.5X5MM	4
	811T12007 KNOB	FOR M-4000	3
	812T10000 WIRE FIXER	L=50MM D=4.2MM BLACK	1
	843T03310 SPONGE	CSA-25 EVA 33*10*2	1
	842215016 SPONGE	JBL-50 EVA20°150*16*3	2
	842225115 SPONGE	JBL-50 EVA20°250*16*3	2
	843T14961 SPONGE	EVA 152*64*14	1
	843T51010 SPONGE PAD	10*10*5 MM	1
	843T62296 FIBER SPACER	24X11.6X1 MM FOR CSA	1
	560216120 UL HEAT-RESISTANT WIRE	16AWG 120MM T1=5 T2=10 RED 1015#	1
	861T50000 SHRINK TUBE	D=6MM (1000MM) BLACK	0,09
	865T00080 CABLE TIE	100MM YJ-100	3
	955T10000 STICKER	45X9 CE STICKER(SILVER SER.NO. B..)	1
	021103344 PCB	JBL50SP 33*44.5mmT=1.6 94V0	1
	341T22835 E/C	2200UF/35V 18*27 105°C	1
	562024080 UL HEAT-RESISTANT WIRE	24AWG 80MM T=10MMX2 BLACK 1007#	1
	178281709 HIGH FREQUENCY CORE	28.5*17.5*9.5mm	1
	31KT10305 C/C	C/C Y5P 0.01UF/50V K	1
	31ZT10410 C/C	C/C 0.1U/100V Z	1



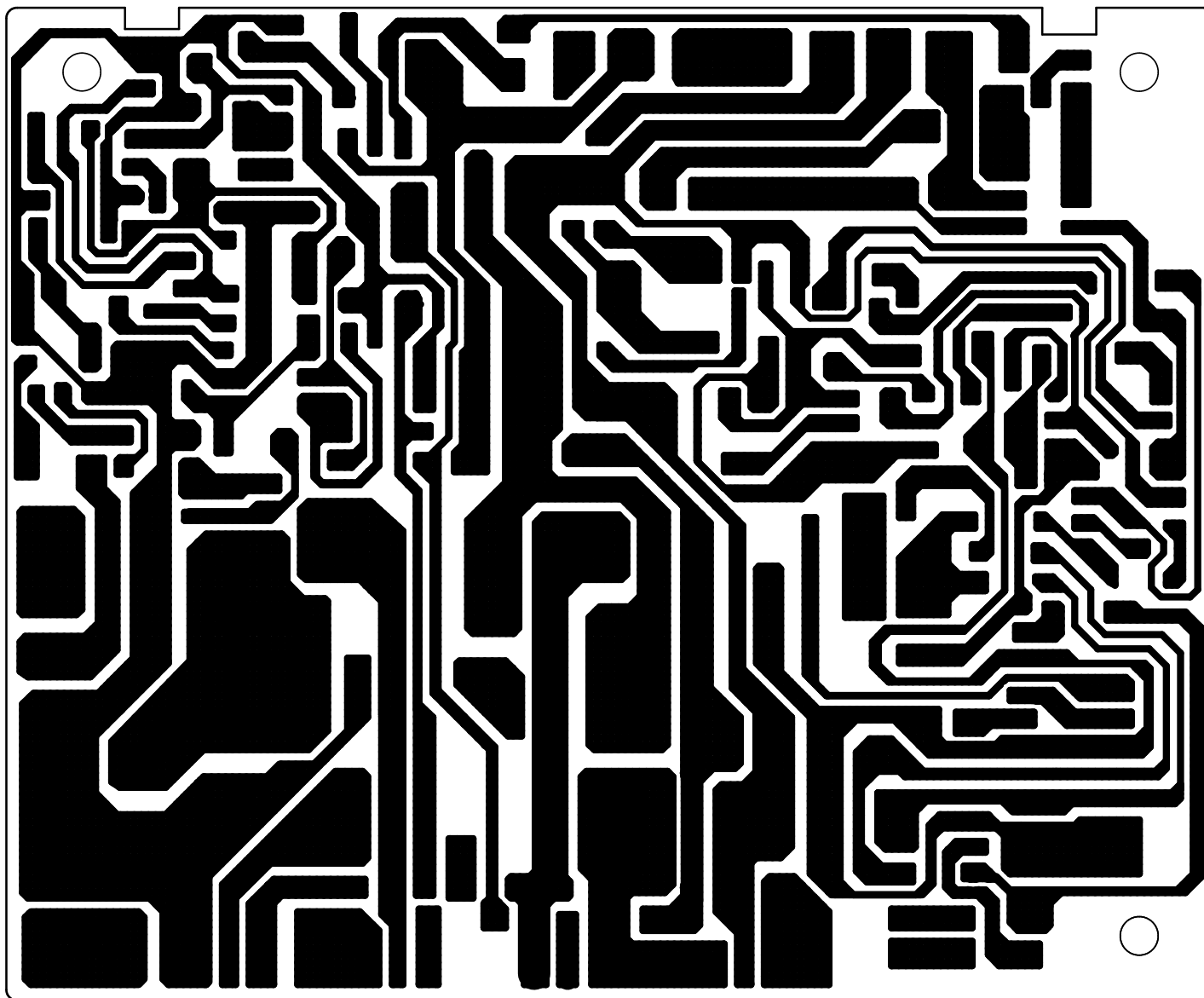


MODEL: JBL-50

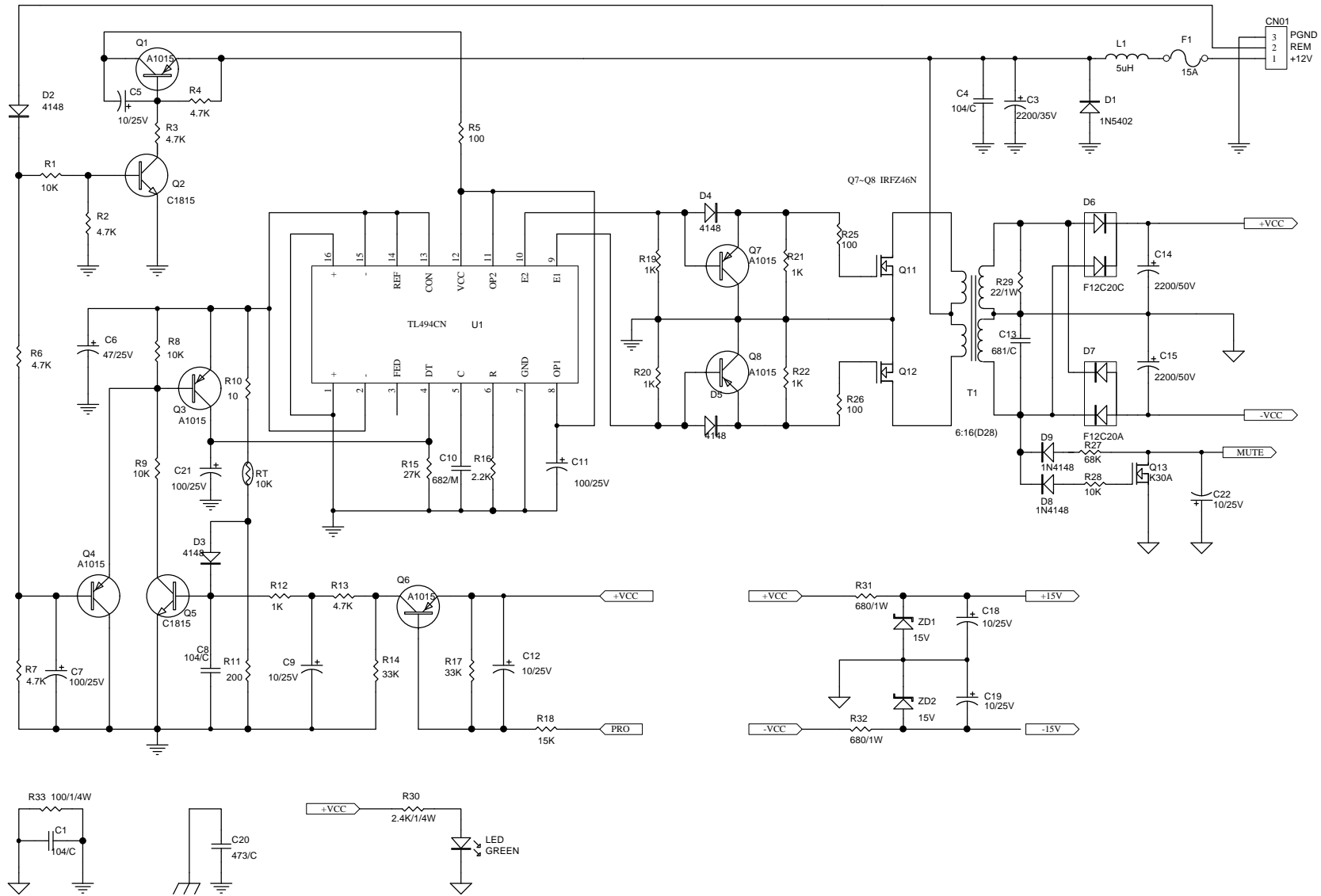


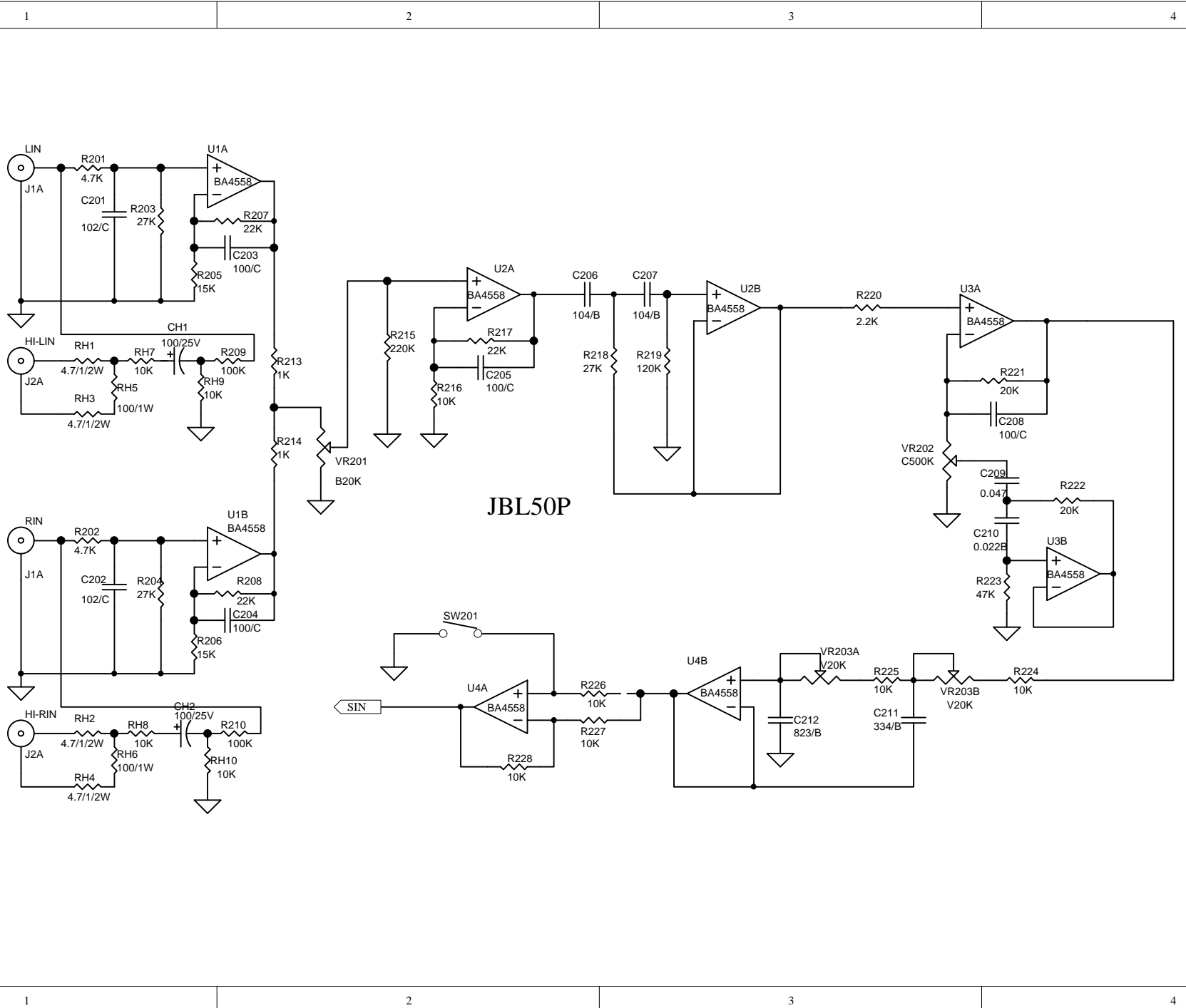


MODEL: JBL-50



MODEL:JBL-50





JBL50P

D

C

B

A

D

C

B

A

1

2

3

4

1

2

3

4



